

ECOLOGY

IP65 DISTRIBUTION BOXES

Description: IP65 SURFACE BOXES 1x12 MODULES (TW) ABS

Reference: CDN12PT

Characteristics:

Product type:	ABS watertight distribution boxes (Sealable)
Exterior dimensions (Height x Width x Depth):	246x310x148 mm
Dimensions of the flush-fit gap (HxWxD):	-
Number of modules:	1x12 DIN rail
Installation:	Surface
Color:	RAL 7035 grey
Window:	Transparent tinted window
Weight (Kg):	1,4
Cable entry:	Top: 6xM20 - 2xM25 - 2xM32 - 1xM40 - Bottom: 6xM20 - 2xM25 - 2xM32 - 1xM40 - Int.: 4xM25 - Oblong rear: 2xOB 25/32/25
Components:	-
Materials:	Halogen-free plastic materials. Frame and base: ABS - Transparent window: UV protection polycarbonate

Technical data:

Degree of protection:	IP65
Resistance to impact:	IK08
Glow wire resistance:	650° C
Ball pressure test:	70° C
Ambient temperature range:	-25°C / +40°C
Maximum operating voltage:	1000 VAC / 1500 VDC

Certificates and standards:

Directive:	2014/35/EU
Standards:	UNE-EN62208 and IEC 62213

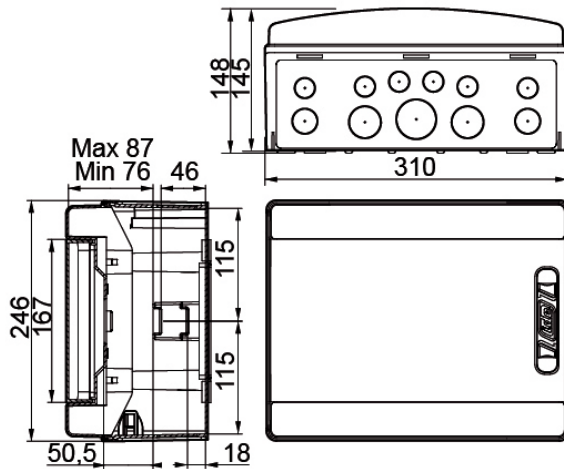


ECOLOGY

IP65 DISTRIBUTION BOXES

Description: IP65 SURFACE BOXES 1x12 MODULES (TW) ABS

Reference: CDN12PT



Exterior dimensions (Height x Width x Depth):

246x310x148 mm

Dimensions of the flush-fit gap (Height x Width x Depth):

-

Sustainability:

RoHS - REACH

Supply:

Supplied in individual cardboard packaging. When several items are sent together, they are bundled together with transparent film.

Product end of life:

It does not require specific recycling operations.

Recommended applications:

Industrial and outdoor environments. Industrial sites, docks, swimming pools, garages, anywhere that requires a high degree of protection against dust, splashes and impacts.

Packaging units: 5