

**Industrial Ethernet  
IE-TO-RJ45-FJ-A**

**Weidmüller Interface GmbH & Co. KG**  
Klingenbergstraße 16  
D-32758 Detmold  
Germany  
Fon: +49 5231 14-0  
Fax: +49 5231 14-292083  
www.weidmueller.com



Mounting rail outlet, RJ45 module design according to IEC 60603-7-51, for wires with diameters up to 1.6 mm

**General ordering data**

Order No.	<a href="#">8946930000</a>
Type	IE-TO-RJ45-FJ-A
Version	Mounting rail outlet, RJ45, EIA/TIA T568 A, IP 20
GTIN (EAN)	4032248734917
Qty.	10 pc(s).

## Industrial Ethernet IE-TO-RJ45-FJ-A

**Weidmüller Interface GmbH & Co. KG**  
Klingenbergstraße 16  
D-32758 Detmold  
Germany  
Fon: +49 5231 14-0  
Fax: +49 5231 14-292083  
www.weidmueller.com

## Technical data

### Dimensions and weights

Net weight 64.9 g

### Temperatures

Humidity	0...93 % rel. humidity	Operating temperature	-40 °C...+70 °C
Storage temperature		Temperature range, installation, min.	-25 °C
Installation temperature		Temperature range, installation, max.	70 °C

### Downloads

Attestation of conformity ISO/IEC EN & TIA/EIA Screened Class E Category 6, 3 connector permanent link	ac107534.pdf	Attestation of conformity ISO/IEC EN & TIA/EIA Screened Class E Category 6, 4 connector channel	ac107533.pdf
Attestation of conformity ISO/IEC EN & TIA/EIA Screened Class EA Category 6A, 2 connector channel	ac107535.pdf	Attestation of conformity ISO/IEC EN & TIA/EIA Screened Class EA Category 6A, 4 connector channel	z1755b-07-D.pdf
Compliance Statement Screened Category 6 ISO/IEC EN & TIA/EIA Connecting Hardware	cs107367.pdf		

### General data

Ability to reconnect	≥ 10 cycles for AWG 23-26, ≥ 4 cycles for AWG 22	Category	Cat.6 <sub>A</sub> / Class E <sub>A</sub> (ISO/IEC 11801 2010)
Colour	Light Grey	Configuration	Switchable voltage connection from module / coupling to mounting rail
Connection 1	RJ45	Connection 2	IDC
Contact material	Spring steel, Ni 1.2 µm	Contact surface	Au ≥ 0.8 µm
Housing main material	PA UL 94 V0	Humidity	0...93 % rel. humidity
Insulation cross-section, max.	1.6 mm	Plugging cycles	750
Protection degree	IP 20	Sheath diameter, max.	10 mm
Sheath diameter, min.	5.5 mm	Shock resistance acc. to IEC 60512-4	250 ms <sup>-2</sup>
Type of mounting	TS 35	Vibration resistance acc. to IEC 60512-4	50 ms <sup>-2</sup> sinusoidal (9 – 500 Hz)
Wire connection diameter, flexible, max.	0.76 mm	Wire connection diameter, flexible, min.	0.48 mm
Wire connection diameter, solid, max.	0.64 mm	Wire connection diameter, solid, min.	0.4 mm
Wire cross-section, finely stranded, max. (AWG)	AWG 22	Wire cross-section, finely stranded, min. (AWG)	AWG 26
Wire cross-section, solid, max. (AWG)	AWG 22	Wire cross-section, solid, min. (AWG)	AWG 24
Wiring	EIA/TIA T568 A		

### Electrical properties

Contact resistance	≤ 20 mΩ	Current-carrying capacity at 50 °C	1 A
Dielectric strength, contact / contact	≥ 1000 V DC	Dielectric strength, contact / shield	≥ 1500 V DC
Insulation resistance	500 MΩ	PoE / PoE+	conforming to IEEE 802.3af

### Standards

Connector standard IEC 60603-7-51

**Industrial Ethernet  
IE-TO-RJ45-FJ-A**

**Weidmüller Interface GmbH & Co. KG**  
Klingenbergstraße 16  
D-32758 Detmold  
Germany  
Fon: +49 5231 14-0  
Fax: +49 5231 14-292083  
www.weidmueller.com

**Technical data****Classifications**

ETIM 3.0	EC000018	UNSPSC	30-21-18-01
eClass 6.2	27-25-05-04	eClass 7.1	27-25-05-04

**Approvals**

Approvals



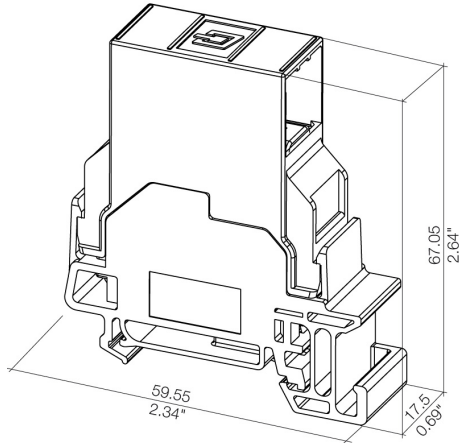
ROHS	Conform
------	---------

**Industrial Ethernet  
IE-TO-RJ45-FJ-A**

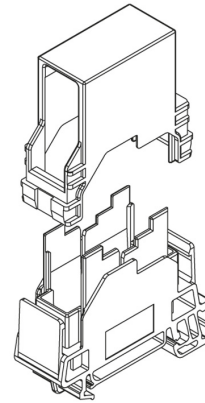
**Weidmüller Interface GmbH & Co. KG**  
Klingenbergstraße 16  
D-32758 Detmold  
Germany  
Fon: +49 5231 14-0  
Fax: +49 5231 14-292083  
www.weidmueller.com

**Drawings**

**Dimensioned drawing**



**Drawing**



**Industrial Ethernet  
IE-TO-RJ45-FJ-A**

**Weidmüller Interface GmbH & Co. KG**  
 Klingenbergstraße 16  
 D-32758 Detmold  
 Germany  
 Fon: +49 5231 14-0  
 Fax: +49 5231 14-292083  
 www.weidmueller.com

**Accessories**

**Multicard**



for labelling your cables

Features:

- for use in the laser printer
- made from polyester
- abrasion-resistant
- as accessory: pen and printing software

**General ordering data**

Order No.	Type	GTIN (EAN)	Qty.
<a href="#">1857440000</a>	ESG 9/11 K MC NE WS	4032248402731	200 pc(s).

**LM MT DIN A5**



- Adhesive polyester labels
- Suitable for DIN A4 laser printer,
- Abrasion-resistant
- High heat resistance
- For marking all kinds of switchgear and modules
- Can also be written on with a ballpoint pen or STI marking pen

**General ordering data**

Order No.	Type	Version	GTIN (EAN)	Qty.
<a href="#">1964070000</a>	LM MT DIN A5 9/11 WS	Device markers, Label, 11 x 9 mm, Polyester, PVC-free, Colour: White	4032248647156	10 pc(s).
<a href="#">1964120000</a>	LM MT DIN A5 9/11 GN	Device markers, Label, 11 x 9 mm, Polyester, PVC-free, Colour: Green	4032248647200	10 pc(s).

**Industrial Ethernet  
IE-TO-RJ45-FJ-A**

**Weidmüller Interface GmbH & Co. KG**  
 Klingenbergstraße 16  
 D-32758 Detmold  
 Germany  
 Fon: +49 5231 14-0  
 Fax: +49 5231 14-292083  
 www.weidmueller.com

**Accessories**

**LM MT**



for labelling your cables

Features:

- for use in the laser printer
- made from polyester
- abrasion-resistant

**General ordering data**

Order No.	Type	Version	GTIN (EAN)	Qty.
<a href="#">1964090000</a>	LM MT DIN A5 9/11 OR	Device markers, Label, 11 x 4032248647170 10 pc(s). 9 mm, Polyester, PVC-free, Colour: Orange		
<a href="#">1964110000</a>	LM MT DIN A5 9/11 GE	Device markers, Label, 11 x 4032248647194 10 pc(s). 9 mm, Polyester, PVC-free, Colour: Yellow		
<a href="#">1964080000</a>	LM MT DIN A5 9/11 GR	Device markers, Label, 11 x 4032248647163 10 pc(s). 9 mm, Polyester, PVC-free, Colour: Grey		
<a href="#">1964100000</a>	LM MT DIN A5 9/11 BL	Device markers, Label, 11 x 4032248647187 10 pc(s). 9 mm, Polyester, PVC-free, Colour: Blue		