



The technical specifications might not be congruent.

- NEAM...20 (S) series
- NENUTEC standard damper actuators are especially designed and produced for applications in the HVAC systems.
- Our wide range of NENUTEC standard damper actuators has been developed to operate and position air dampers of different sizes. Angular positioning of modulating actuators can be controlled by the NPG-1 positioner.

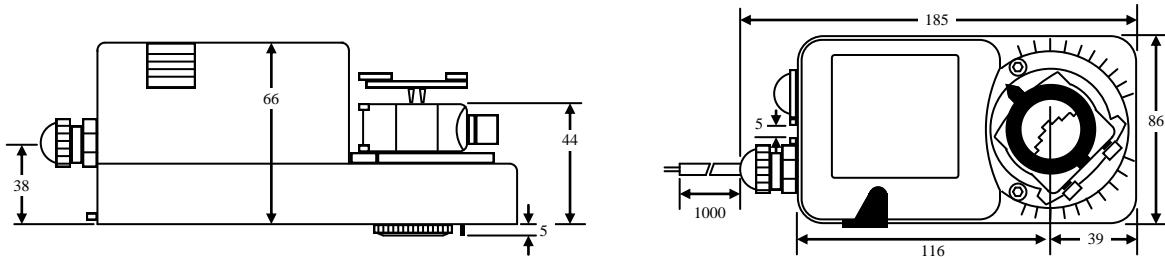
Product Features

- Torque 20 Nm
- Damper size 4.0 m²
- Power Supply AC/DC 24 V
- Control Modulating DC 0(2)...10 V and 0(4)...20 mA
- 2 adjustable auxiliary switches (SPDT)
- Shaft dimensions
Ø 12 to 20 mm round / □ 11 to 14 mm square
- Minimum shaft length 45 mm
- Selectable direction of rotation
- Adjustable angle of rotation
- Actuator with 1000 mm cable connection
- Customer version on request

Model Selection Table


| Torque | Running Time | Power Supply | Auxiliary Switch | Model / Type |
|--------|--------------|------------------|------------------|---------------|
| 20 Nm | 70...120 sec | AC/DC 24 V ± 10% | No | NEAM24.1-20 |
| 20 Nm | 70...120 sec | AC/DC 24 V ± 10% | 2 x SPDT | NEAM24.1-20 S |

Actuator Dimensions (mm)

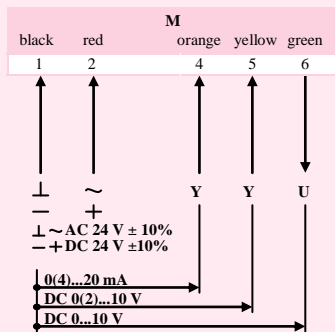


Technical Specifications

NEAM24.1...(S)

| | |
|---------------------------|---|
| Torque | 20 Nm |
| Damper Size | 4.0 m ² |
| Shaft dimensions | Ø 12 to 20 mm round / □ 11 to 14 mm square |
| Power Supply | AC/DC 24 V ± 10% |
| Frequency | 50 - 60 Hz |
| Control Signal (Input) | DC 0(2)...10 V or 0(4)...20 mA |
| Position Signal (Output) | DC 0...10 V |
| Power Consumption | |
| - Operating | 8.0 W |
| - End Position | 2.0 W |
| For Wire Sizing | 8.0 VA |
| Auxiliary Switch Rating | 3 (1.5) A, AC 250 V |
| Protection Class | III  |
| Angle of Rotation | 0°...90° (95° mechanical) |
| Angle of Limiting | 0°...90° in 10° steps |
| Weight | < 1.4 Kg |
| Life Cycle | 60'000 rotation |
| Sound Level | 45 dB (A) |
| IP Protection | IP 54 (dust protected & protected against splash water) |
| Operating Temperature | -20°...+50° C / IEC 721-3-3 |
| Non-Operating Temperature | -30°...+60° C / IEC 721-3-2 |
| Ambient Humidity | 5%...95% rH non condensing / EN 60730-1 |
| Maintenance | Maintenance free |
| Mode of Operation | Type I / EN 60730-1 |
| EMC | CE according to 89 / 336 / EEC |

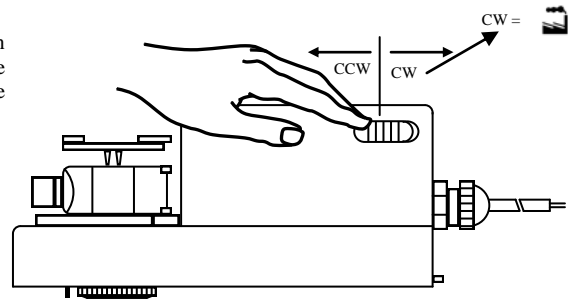
Wiring Diagram NEAM24.1...(S) Power Supply AC/DC 24 V



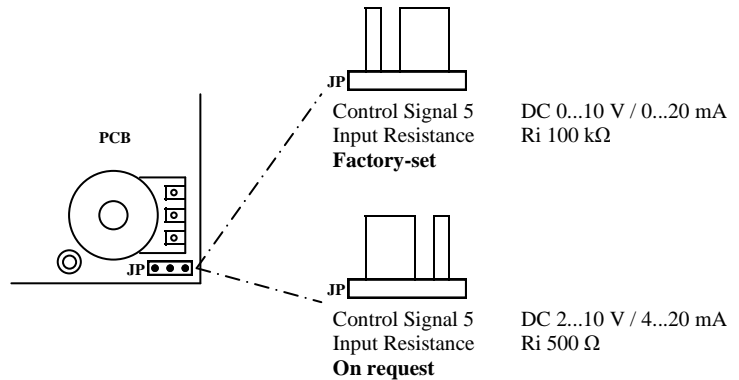
Changing Direction of Rotation NEAM24.1...(S)

Factory-set CW!

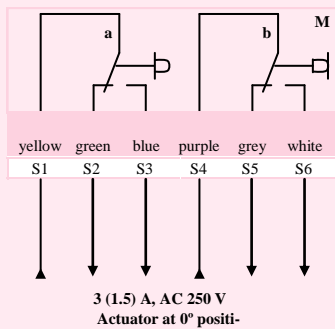
The direction of rotation can be changed by pushing the CW/CCW switch on the actuator's housing.



Adjustment of Control Signal NEAM24.1...(S)



Wiring Diagram NEAM24.1...(S) Auxiliary Switches

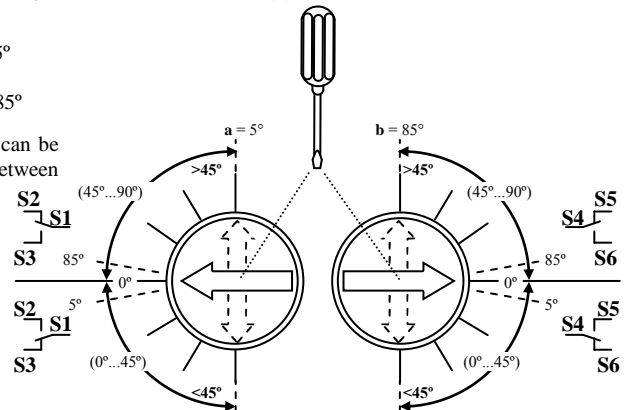


Adjustment of Auxiliary Switch NEAM24.1...(S)

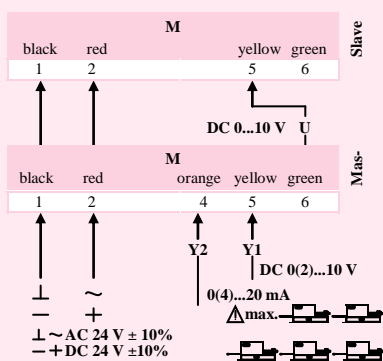
Switch **a** factory-set at 5°

Switch **b** factory-set at 85°

The auxiliary switches can be optimally adjusted between 0°...90°.



Wiring Diagram NEAM24.1...(S) Parallel Connection

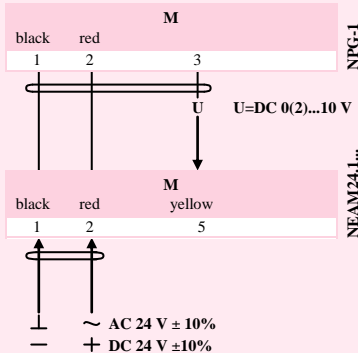


Remark

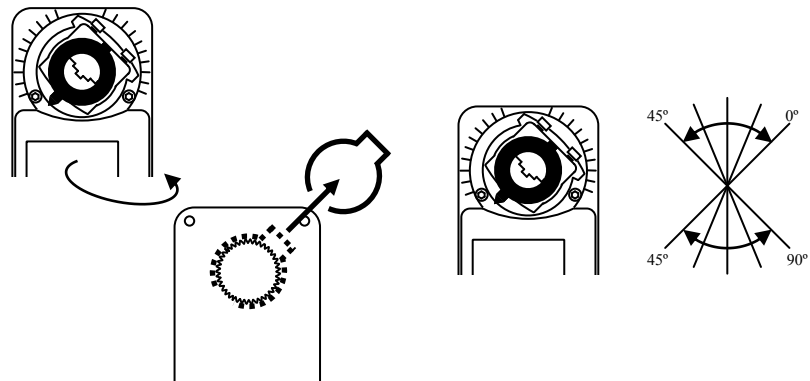
When NEAM... (S) actuators operate in parallel, the output signal U = DC 0...10 V (terminal 6) of the master actuator must be connected to terminal 5 of the next slave actuator.

The power consumption must be observed.

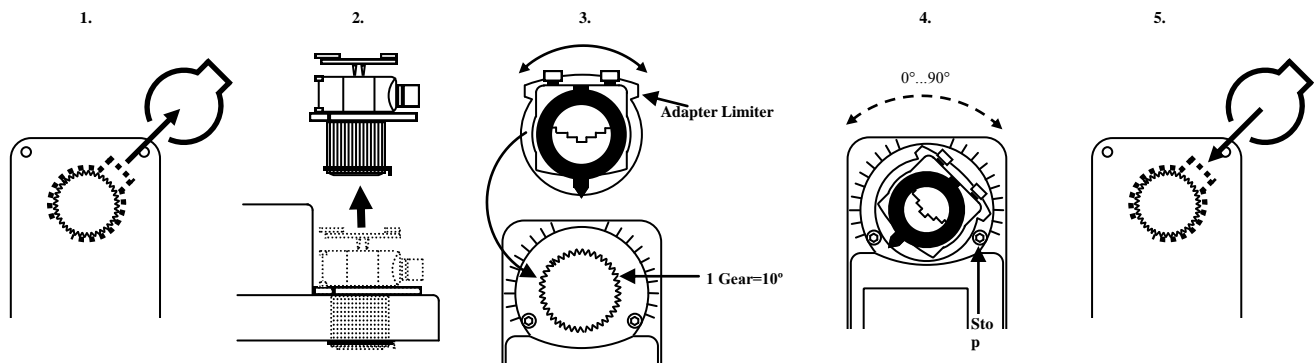
Wiring Diagram NEAM24.1...(S) NPG-1 Position Transmitter AC/DC 24 V



Releasing the Adapter NEAM24.1...(S)



Limiting Angle of Rotation NEAM24.1...(S)



OEM Customised Version on Request

NENUTEC offers you actuators in customised versions, e.g. with your own brand name, with colour-coordinated applications and with your particular demand. Please contact us for further information.

Important Remark

Consult NENUTEC representatives for specific requirements and material selections for your intended application.



This actuator includes electrical and electronic components and may not be disposed as household garbage. Please consider the local valid legislation.



AC / DC 24 V: Connect via safety isolating transformer.

AC 230 V: To isolate from the main power supply, the system must incorporate a device which disconnects the phase conductor (with at least a 3 mm contact gap).

NENUTEC
FINEST ACTUATORS FOR AIR AND WATER APPLICATIONS

Schachenstrasse 80
CH - 8645 Jona/SG - Switzerland
T: +41 55 224 40 60
F: +41 55 224 40 69
E-Mail: info@nenutec.ch
Internet: www.nenutec.com